

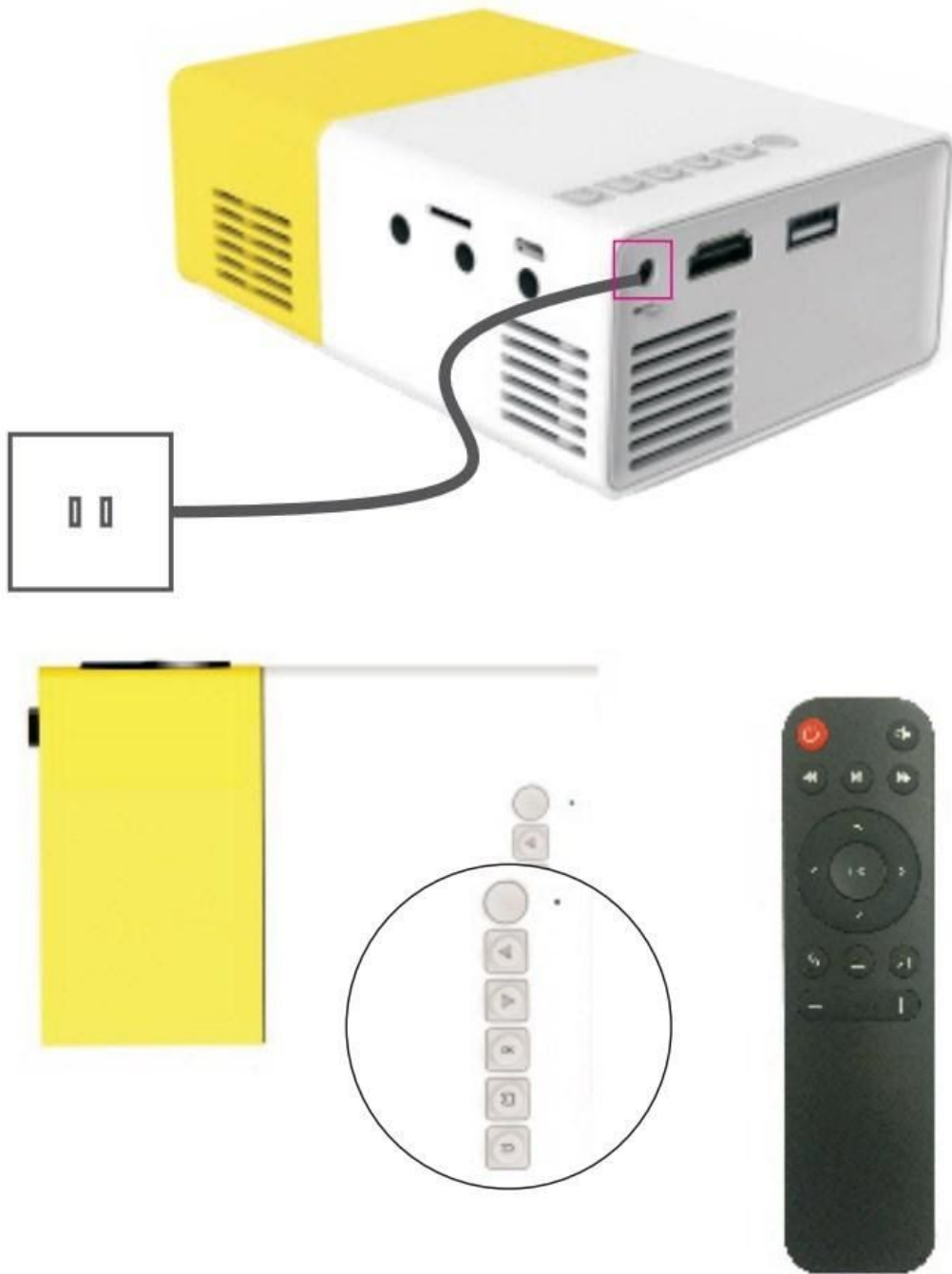
MINI PORTABLE FULL HD LED PROJECTOR YG300

User Manual



Power on/off

Connect the power adapter to the projector, then press the power button on the remote or projector. After switching on, the user interface will appear after 2-5s.



Remote control



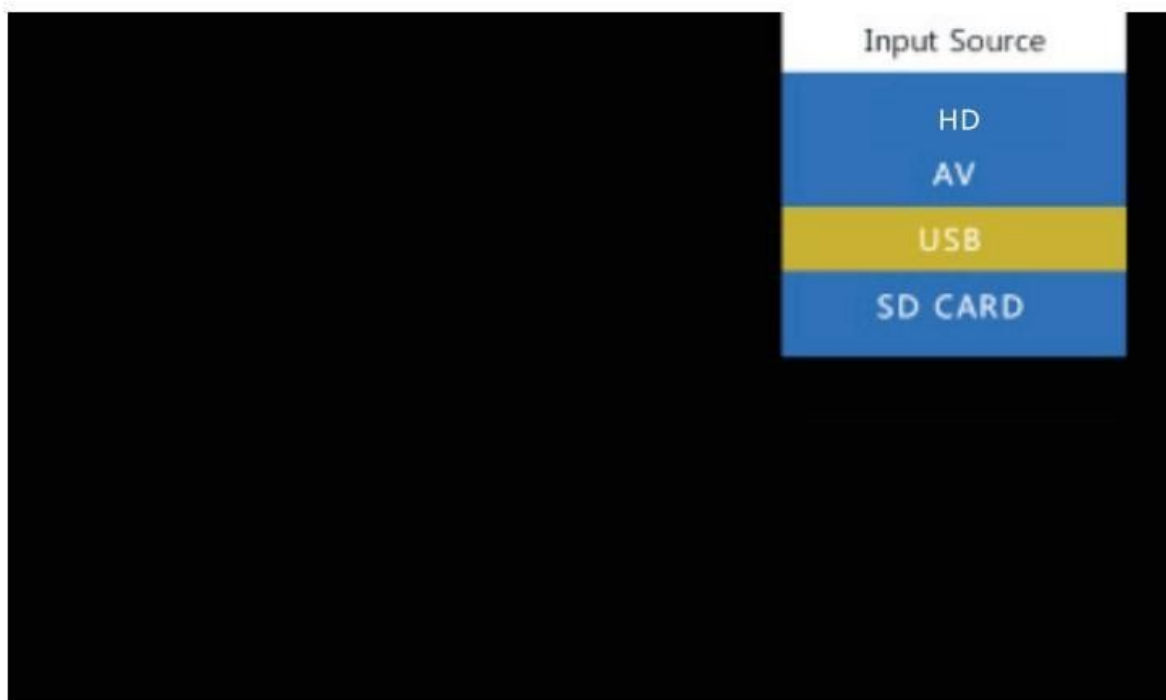
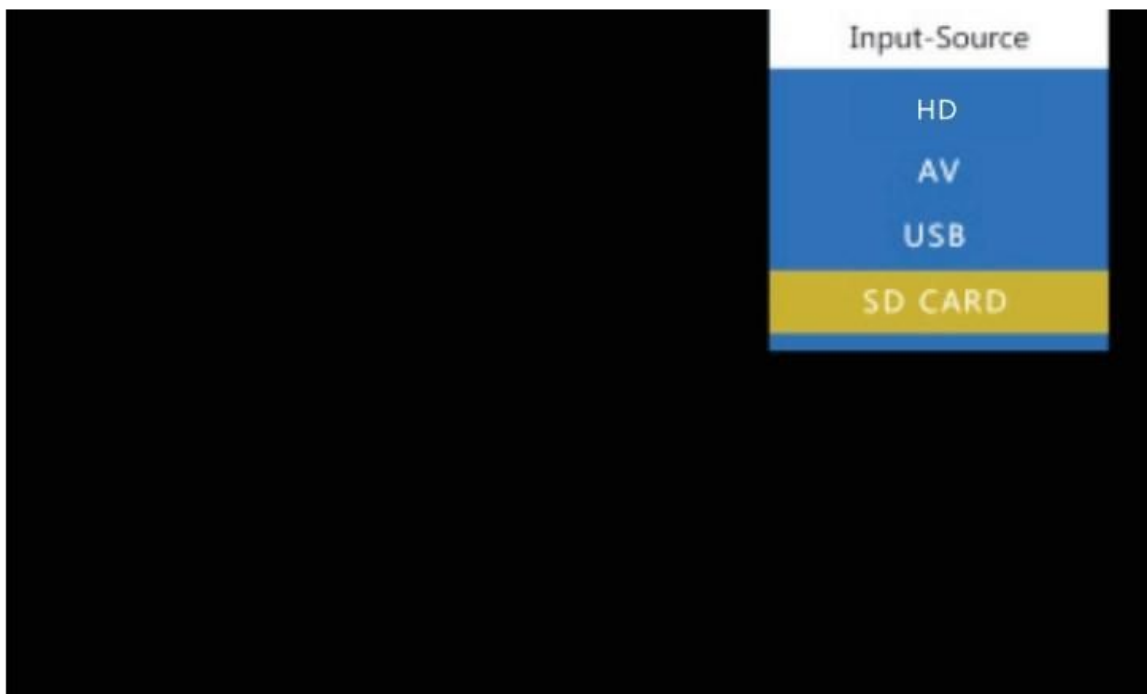
1. Power on/off
2. Play/pause
3. Mute
4. Rewind
5. Fast forward
6. Up
7. Left
8. Right
9. Ok
10. Down
11. Back
12. Signal source
13. Volume down
14. Volume up
15. Menu

Focus

Place the projector on the flat surface, parallel with the projection screen.
Adjust the focus to get the clearer picture.

Multimedia connection

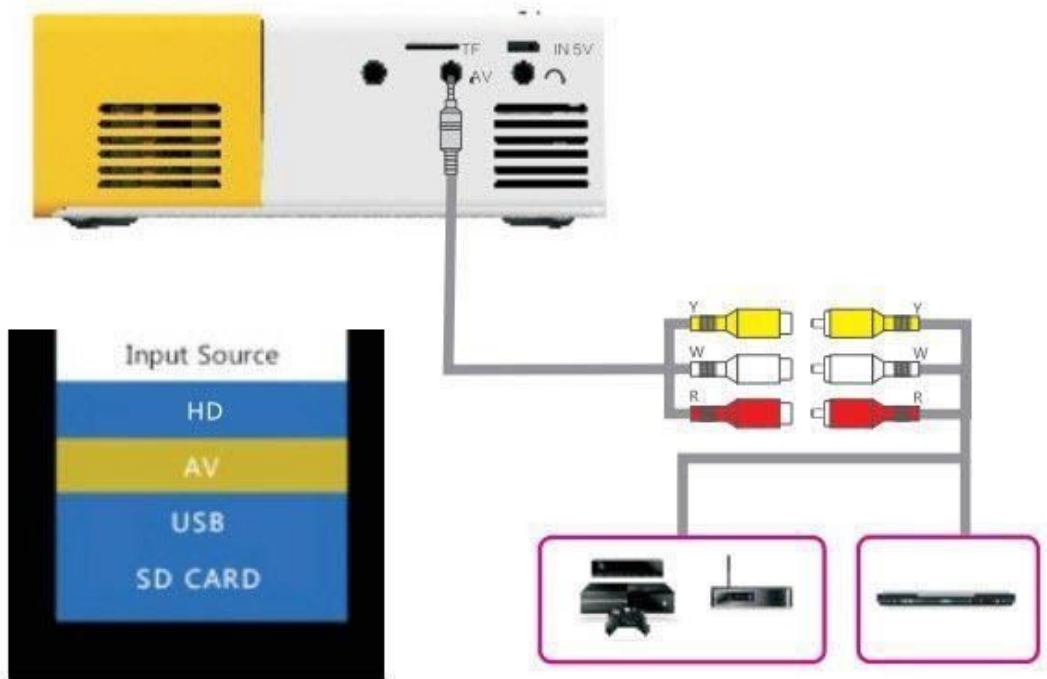
Insert USB or SD card into the correspondent port. Choose multimedia signal source by pressing the "Source" button on the remote or projector.



Choose the file you want to display by pressing the play/pause button.

Video Equipment connection

Connect the 3in1 AV cable to the projector's AV slot, and choose Video as source signal.



HD equipment connection

Connect your computer to the HD slot, and choose HD as a signal source.



Audio device connection

Connect the 3.5mm headphones or speaker to the projector, using the 3.5mm port.



Menu guide

Press the menu button on the remote to enter the main menu, then use the left/right buttons to select the submenu. Press the up/down button to choose the submenu you want to adjust. After the adjustment, press OK.

