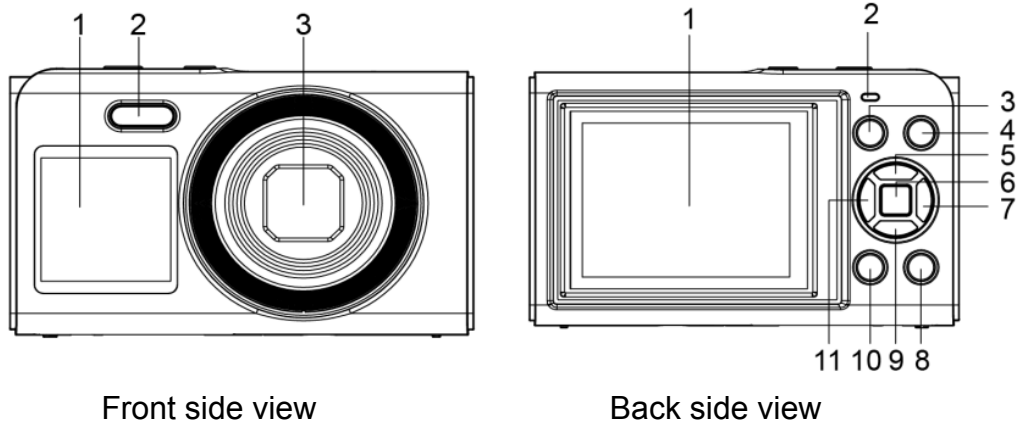


S150 Pro 5K Dual-Screen Digital Camera with 32GB Memory Card - White



System requirement

Users can transfer videos and photos to computers with the following configurations:
Intel Pentium 2.0GHz or higher/ Microsoft Windows XP or higher operating system 2GB
RAM 40GB above available disk memory/Standard USB interface/1GB GPU or higher
1920x1080 pixel or higher resolution.



Front side view

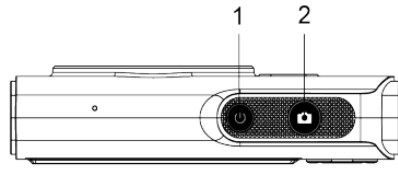
Back side view

Front side view:

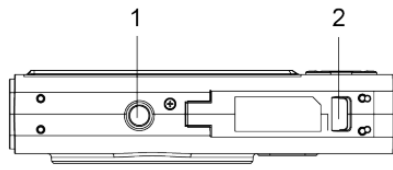
1. 1.5-inch display
2. Fill light
3. Lens

Back side view:

1. 2.8-inch display
2. Working indicator
3. Zoom in
4. Zoom out
5. Up/Fill light on/off
6. OK/Mode switch
7. Right
8. Menu settings
9. Down
10. Playback
11. Left



Top side view



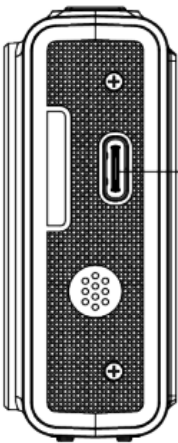
Bottom side view

Top side view:

1. Power button
2. Photo button

Bottom side view:

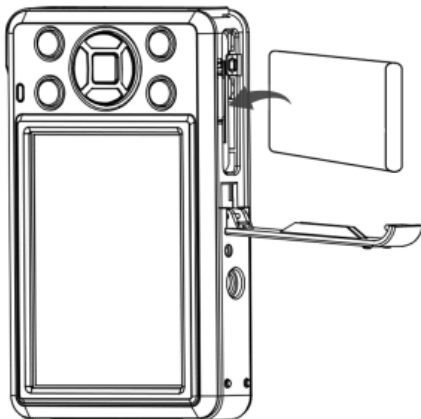
1. Tripod interface
2. Battery/memory card slot



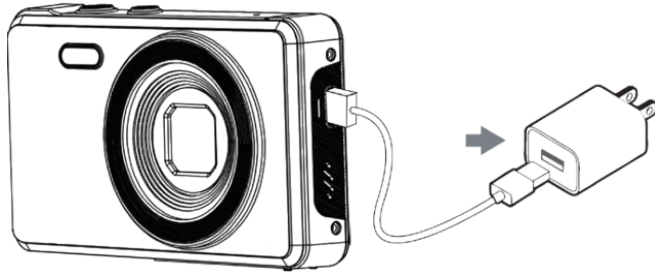
Left side view

- 1 Type-C USB interface

Charging the battery



1. Turn off the power of the camera, open the battery cover, insert the battery in the direction shown in the figure below, and then close the battery cover.



2. You can use the supplied USB cable to charge your camera via an adapter (5V/1A~5V/2A).

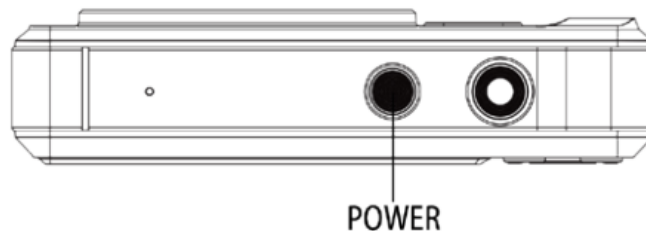
- The charging indicator will be turned on in red when the battery is in charge.
- The charging indicator will be turned off automatically when the battery is fully charged.

Normally it takes around 2 hours to fully charge the battery.

When the battery is fully charged, the battery life is around 70 minutes for recording.

Power on/off the camera

Press the power button, the camera will turn on automatically.



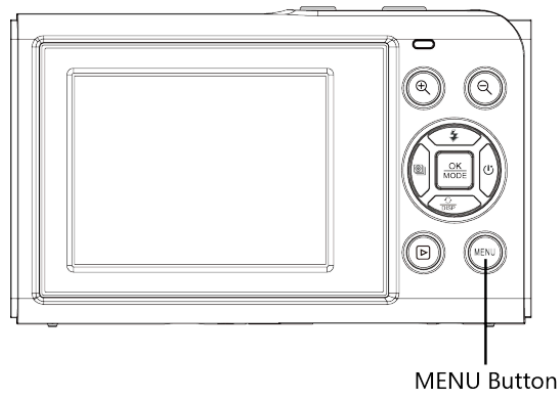
If you want to turn off the camera, press and hold the Power button for 3 seconds.

Note: When you turn on the camera for the first time, you need to press and hold the power button to turn it on. If there are no batteries in the battery compartment, you need to put the batteries in first, then press and hold the power button to turn it on.

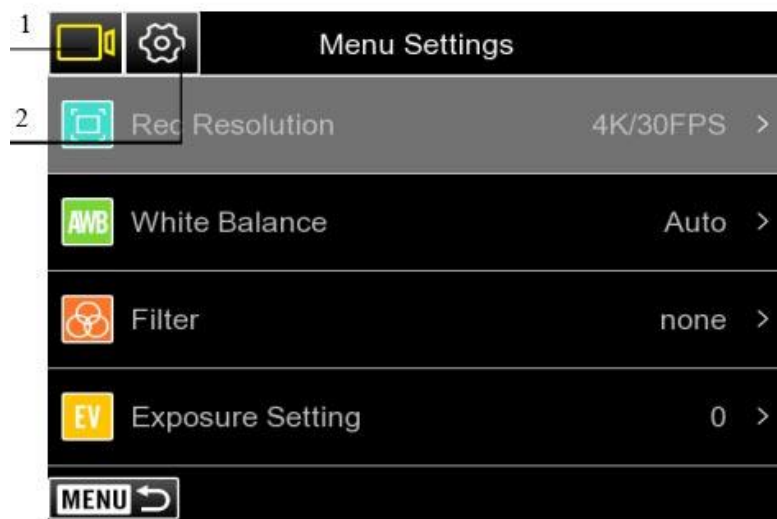
Set the camera

You can make custom settings of the camera.

After the camera is turned on, press the menu button to open the menu settings.



Menu Section



1. Submenu for current mode
2. System settings

Sub-menu / Menu content

Image Rotation - Turn Off/Turn On

Icon display - Turn Off/Turn On

Focus Mode - Auto focus/Manual focus/Fixed focus

Wi-Fi - Turn Off/Turn On

APP Usage Guide - Scan the QR code to view tutorial

Light Source Frequency - Auto/50HZ/60HZ

LED Indicator - Turn Off/Turn On

Auto Screen Saver - Turn Off/30s/1 Minute/2 minutes

Auto Power Off - Turn Off/3 minutes/5 minutes/10 minutes

Button Prompt - High/Middle/Low/Turn Off

Startup Music - Turn Off/Turn On

Language - Simplified Chinese/traditional

Chinese/English/Japanese/Korean/Russian/German/French/Italian/Spanish/Portuguese
/Thai

Time Format - YYYY/MM/DD - MM/DD/YYYY - DD/MM/YYYY

Time Set - Hour/Minute/Second

Date Set - Year/Month/Day

Format - (Micro Card)Format/Cancel

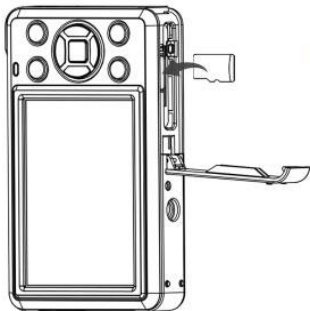
Device Info - Product model and version number

Factory Reset - Confirm/Cancel

Insert and format the memory card

A class 10 or higher speed memory card is recommended to normal use.

1. Open the battery cover, and insert the memory card until you hear the “click” sound.



Insert the card with the noted corner in the direction as illustrated

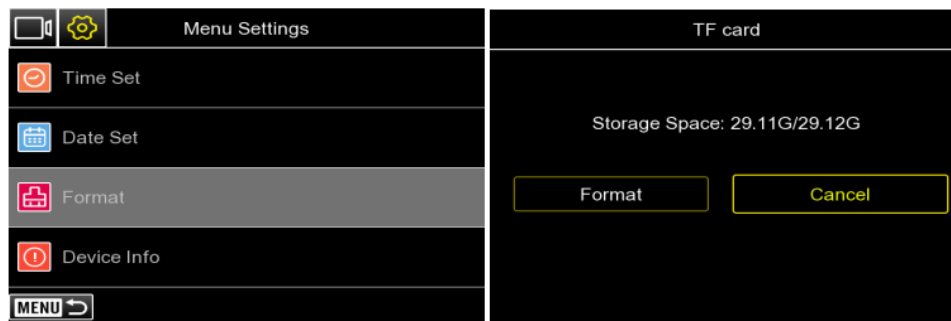
2. To remove the memory card, open the cover and push the memory card it will popup automatically.

Format the memory card

It is recommended to format the memory card before first use.

After formatting the memory card, press the menu key to open the menu, then press the left or right key to switch to the system settings.

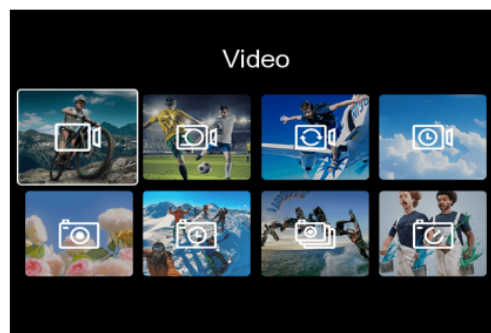
Press the up or down key until you find the "Format" submenu, then press the OK key to enter the submenu. Select the "Format" option and press the OK key to confirm formatting the memory card.



Note: If the memory card is not formatted, a prompt will pop up on the screen: "Unsupported file system, do you want to format?", please format the memory card according to the above operation. Formatting the memory card will erase all data stored on it, and the data will be unrecoverable. Save important data to your PC before formatting.

Using the camera

The camera defaults to photo shooting mode after it is turned on. Press the MODE button to enter the mode selection page. Press the up/down/left/right button to select the desired mode, then press the MODE button to confirm.



Icon / Mode / Illustrate



Photo / Take a single photo normally



Auto / Automatically cycle take photos after a specified number of seconds



Time / Take a single photo after a specified number of seconds



Drama Shot / Take a specified number of photos in succession



Video / Normal recording mode



Slow Motion / Slow motion shooting



Lapse Video / Compress time to record video



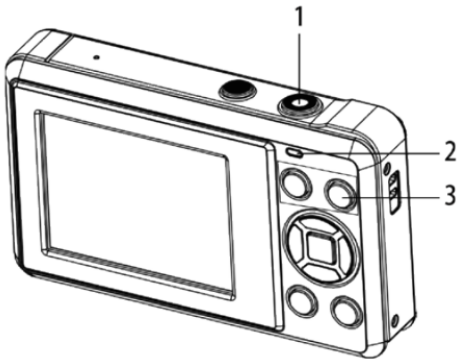
Loop / Recording infinite loop

The camera supports setting the corresponding mode menu in different modes.

After selecting the desired mode, press the menu button to enter the menu and select the desired setting if desired.

Press the photo button to take a photo, and the photo will be automatically saved to the memory card.

In video mode, press the photo button to start recording, and press the photo button again to stop recording. During recording, you can also press the power button to pause/continue recording.



- 1: Photo button (video start/end button) - Press to start recording, then press to end recording.
- 2: Indicator light - The working indicator light flashes when recording.
- 3: Digital zoom button - "+" button Zoom in/"-" button Zoom out.

Fill light

In video mode, press the up button to quickly turn the fill light on or off.
In photo mode, the fill light has three flash modes, and pressing the up button can quickly switch between the three modes.



No flash



Auto flash



Mandatory flash

Playback

Press the playback button to enter media playback. Press the Left/Right button to view videos and images stored in the camera memory card.

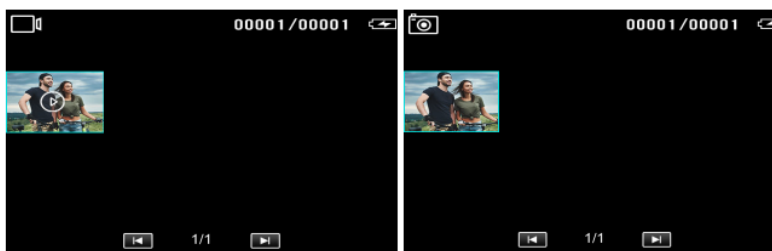
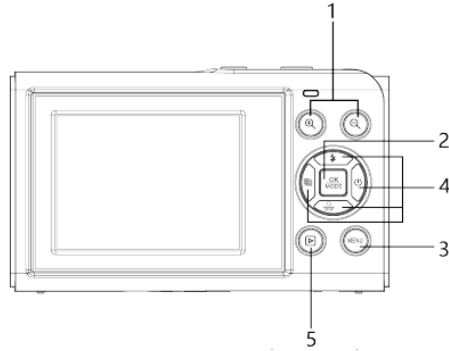


Figure 1: Video playback

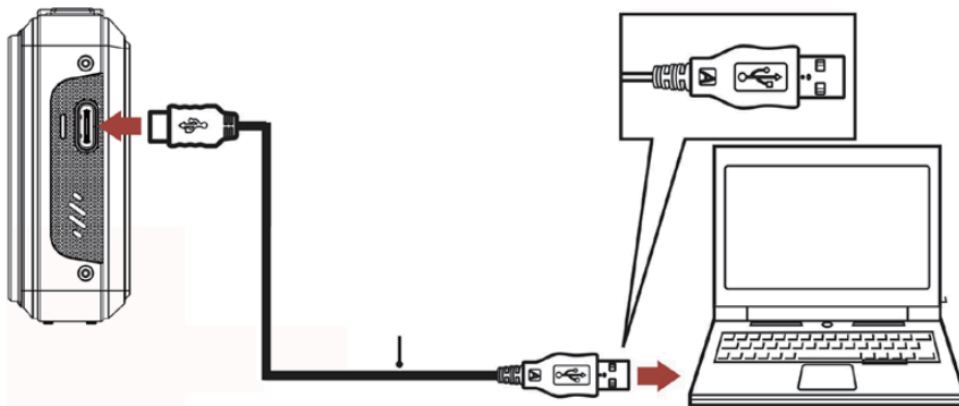
Figure 2: Photo playback



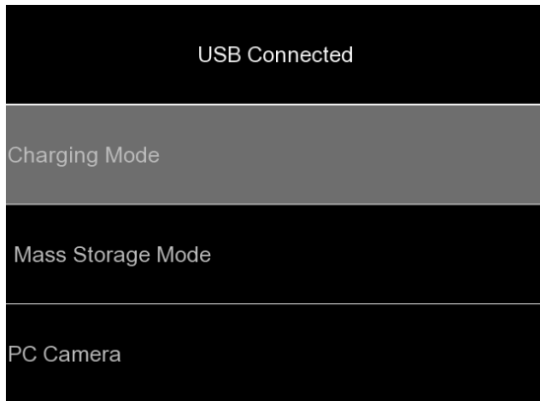
1. When viewing photos, you can use the +/- keys to zoom in and out. When viewing videos, you can use the +/- keys to adjust the volume.
2. Press OK to play/pause the video.
3. When viewing photos and videos, press the menu key to view photo or video information.
4. In playback mode, press the menu key to enter the multi-select delete mode, press the up/down/left/right keys to select the photos or videos to be deleted, press the OK key to confirm, and then press the delete key to delete the photos or videos. (Press the playback key in the multi-select delete mode to select all files)
5. Press the playback key to exit video playback or photo playback.

Connect to computer

1. Connect the Type-C USB port of the camera and the USB port of the computer with the supplied USB cable.



2. The camera will turn on automatically and the screen will display the available options.



Press the Up/Down button to select the desired option and press the OK button to confirm the setting.

Charging Mode

Select the charging mode, the camcorder supports the function of recording normally. Power off the camcorder would be fully charged faster than keep powering on.

USB Mode

Select "USB mode" and the computer will display the camera's memory card drive. You can transfer files from the storage to the computer on the computer.

PC Camera

Select the "PC Camera" mode, the camera can be used as a webcam, live broadcast, etc.

Note: When the camera is used as a webcam, only the digital zoom button on the digital camera can be used, and other functions cannot be used.

WIFI APP Usage Guide

Press the MENU button to enter the menu, press the left/right button to enter the system settings, then press the up/down button to find the "APP Usage Guide" submenu bar, and then press OK to enter the scan to view the tutorial. To download WiFi, you can scan the QR code on the right below.



WIFI APP User Guide QR Code



WIFI App download QR code

Camera cleaning and maintenance

1. If you do not use the camera for a long time, take out the camera battery and place it in a dust-free, dry environment with a temperature no higher than 30 °C.
2. In order to extend the service life of the battery, please discharge it completely before storage.
3. Please fully discharge the battery at least once every 3 months after it has been fully charged.
4. If there is dust or dirt on the lens or screen, gently wipe it with a clean, soft lens cleaning cloth.
5. As this machine is a precision instrument, please do not drop it or suffer from strong impact or vibration.

Troubleshooting

1. The camera cannot be turned on after installing the battery

- The battery power is insufficient, please replace the battery with a new one or charge the battery.
- The battery is installed in reverse, please confirm that the battery is installed in the correct way.
- The battery insulating paper is not removed.

2. The battery is not charging

- If the red light of the charging indicator flashes, the battery is not in place or the contact is poor. Please re-install the battery until the indicator light is on (the indicator light goes out when the battery is fully charged).
- The charging indicator light is off and the charger is not plugged in properly. Please check whether the charger is connected normally.

- The ambient temperature is lower than 10°C, which may lead to slow charging or failure to charge.

3. Camera crashes

Quickly pressing each button of the camera may cause the camera to freeze. After it crashes, unplug the battery and reboot. Tip: When the camera is recording or taking pictures, do not quickly press the camera button. Under normal circumstances, the camera will display a waiting icon.

4. The memory card cannot be recognized:

- Please check whether the memory card complies with TF card (class10), the maximum is not more than 256G.
- Please check whether the memory card is inserted backwards.
- When the memory card is used on the camera for the first time, it is recommended to format it first.

Additional notes

1. Do not insert any object into the slot except the memory card.
2. After the power is turned on, the camera may show an unstable image for a few seconds, but this is not a fault.
3. Due to the optical properties of the lens, there may be color dispersion (magnification of chromatic aberration) at the edges of the image. This is not a camera fault.
4. It is normal for the memory card to get hot after a long period of use.
5. It is normal for the camera's screen to heat up after a long period of use.