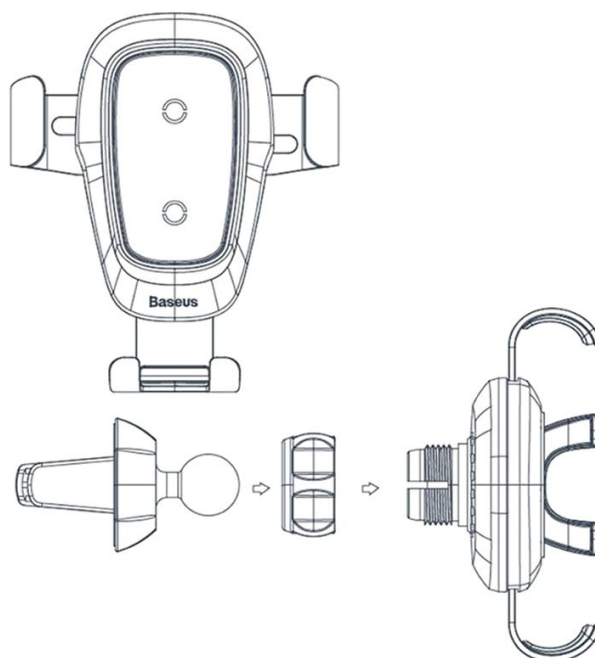


# User manual for Baseus Gravity air vent car holder / Qi wireless charger



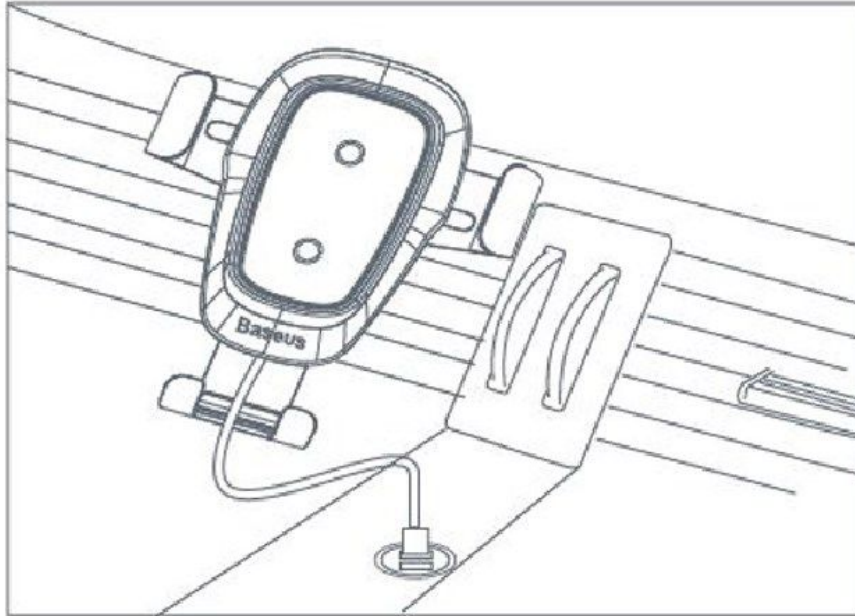
## Specifications:

- Standard charge output: 5V / 2A (10W)
- Fast charge output: 9V / 1.67A (15W)
- Input interface: Micro USB
- Products dimensions: 11,2cm x 10,5cm x 10,2cm
- Products weight: around 150g

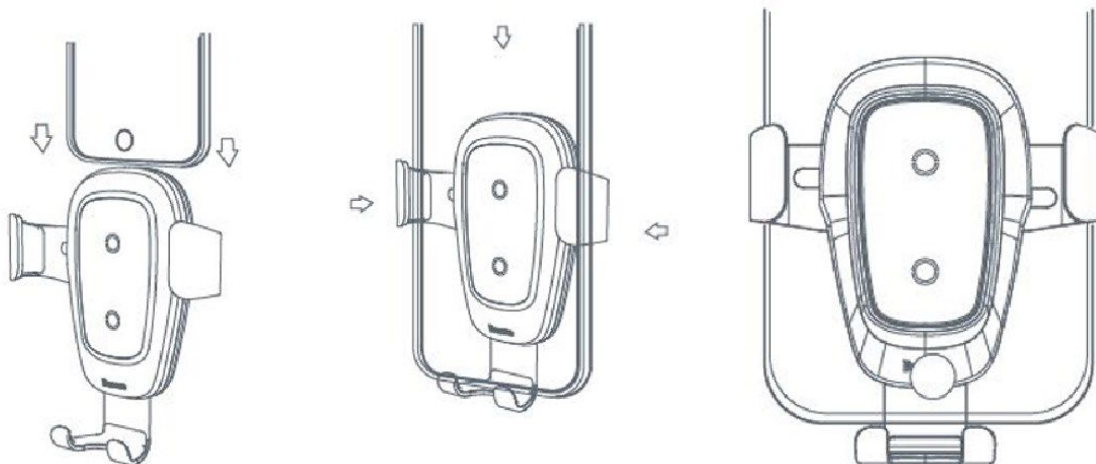


## Installation

Install the holder to the air vent of your vehicle and then connect your car charger (not included in the package) via the included microUSB cable.



Place your smartphone in the car holder as shown in the picture below, and it will keep it firmly in place thanks to the “Gravity style”.



**Note:** The wireless charging feature will only work with devices that support wireless charging. If your device doesn't support wireless charging, you'll have to purchase a wireless charging receiver in order to use this feature.