

User manual for Forever Find Me KW-200 Smartwatch with GPS for Kids



Specifications

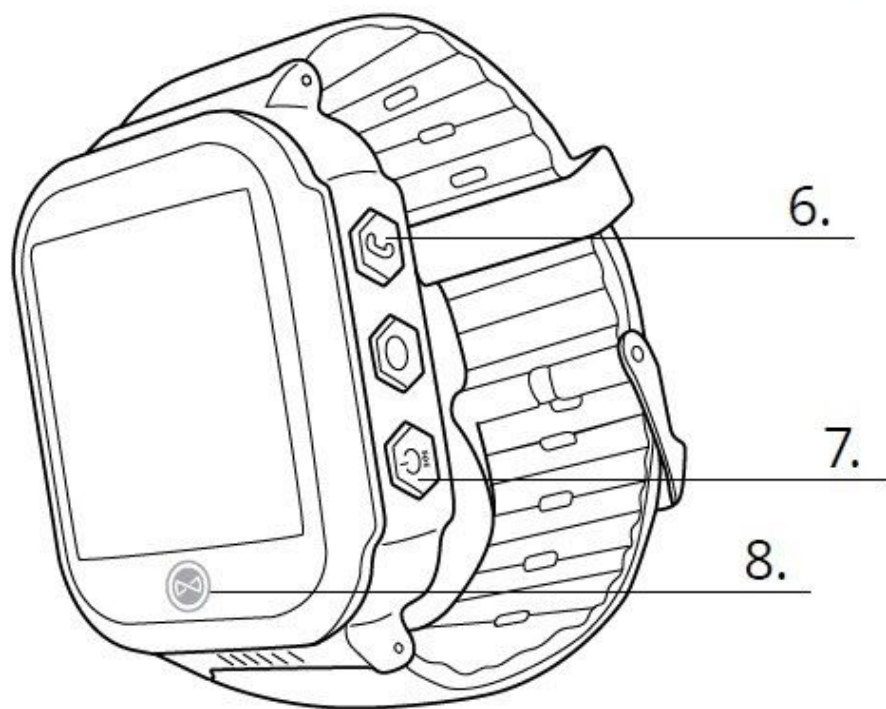
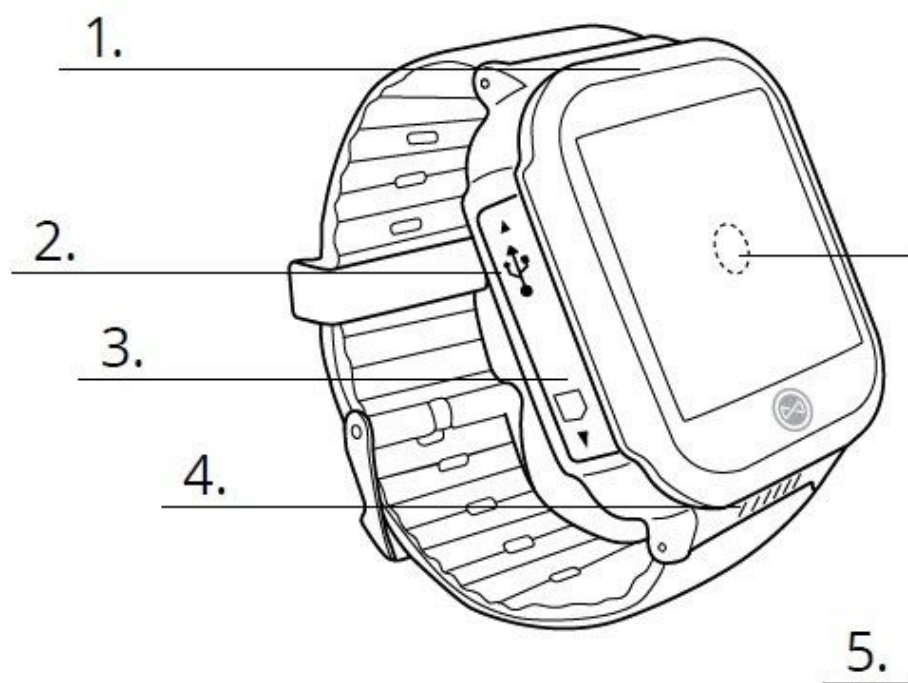
- Display: 1.44" colorful screen
- Screen resolution: 128 x 128
- Supported SIM: microSIM card
- Battery type: Lithium-ion, rechargeable
- Battery capacity: 400mAh
- Standby time: 3d
- Charging time: 2h
- Strap length: 230mm
- Weight: 43g

IMPORTANT!

The device requires the installation of a micro SIM card with active service, allowing to make and receive calls, with no PIN lock. It is recommended to deactivate voicemail. When sending information regarding location, the watch will require access to the mobile Internet.

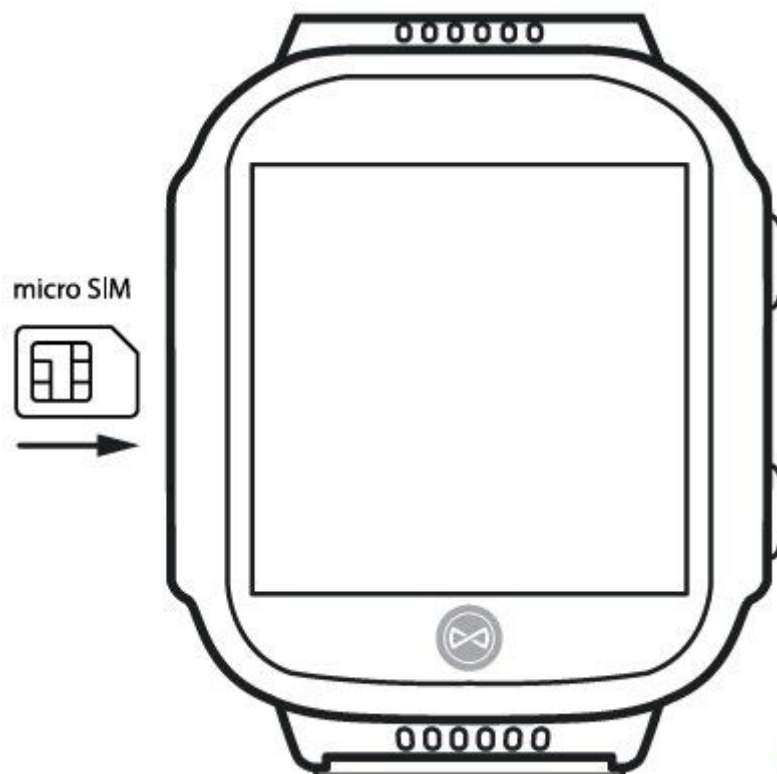
Functions

1. Speaker
2. Micro USB connector
3. SIM card slot
4. Microphone
5. Watch loss sensor
6. Answer a call
7. On/Off/SOS button
8. Answer the call/return



1. Preparation of the watch

Open the SIM card protection, located on the left-hand side, by carefully folding it back. Be careful not to rip the protection off. Insert micro SIM card into the slot so that the chip of the SIM card is facing up towards the screen of the watch, you will hear a click confirming the correct installation.



Before inserting or removing the SIM card, always ensure that the watch is turned off. Never insert or remove the SIM card when the watch is turned on. After correct installation of the SIM card, close the protection by pressing it against the watch.

2. First launch

After installation of the SIM card in the watch, and making sure that the device is charged up, you may activate it by pressing and holding the ON button, located on the right-hand side. After activating, the watch will connect with a mobile network and receive a GPS signal, if it is available.

3. Watch operation

The watch is operated using the touch screen. By moving your finger on the screen, you may switch between particular functions; you select functions by pressing the screen.



- 1) The main screen of the watch shows the current date and time, as well as the battery charge level. The screen also contains icons indicating a connection with a mobile network, GPS, as well as an icon indicating the amount of received prizes.
- 2) The phone directory provides access to 10 contacts, defined using the application.
- 3) Simple mathematical game with three difficulty levels.
- 4) Allows sending voice messages, as well as receive text and voice messages.
- 5) Allows activating a torchlight built in the watch.
- 6) Preview of the number of steps taken after prior activation of a pedometer in the application.