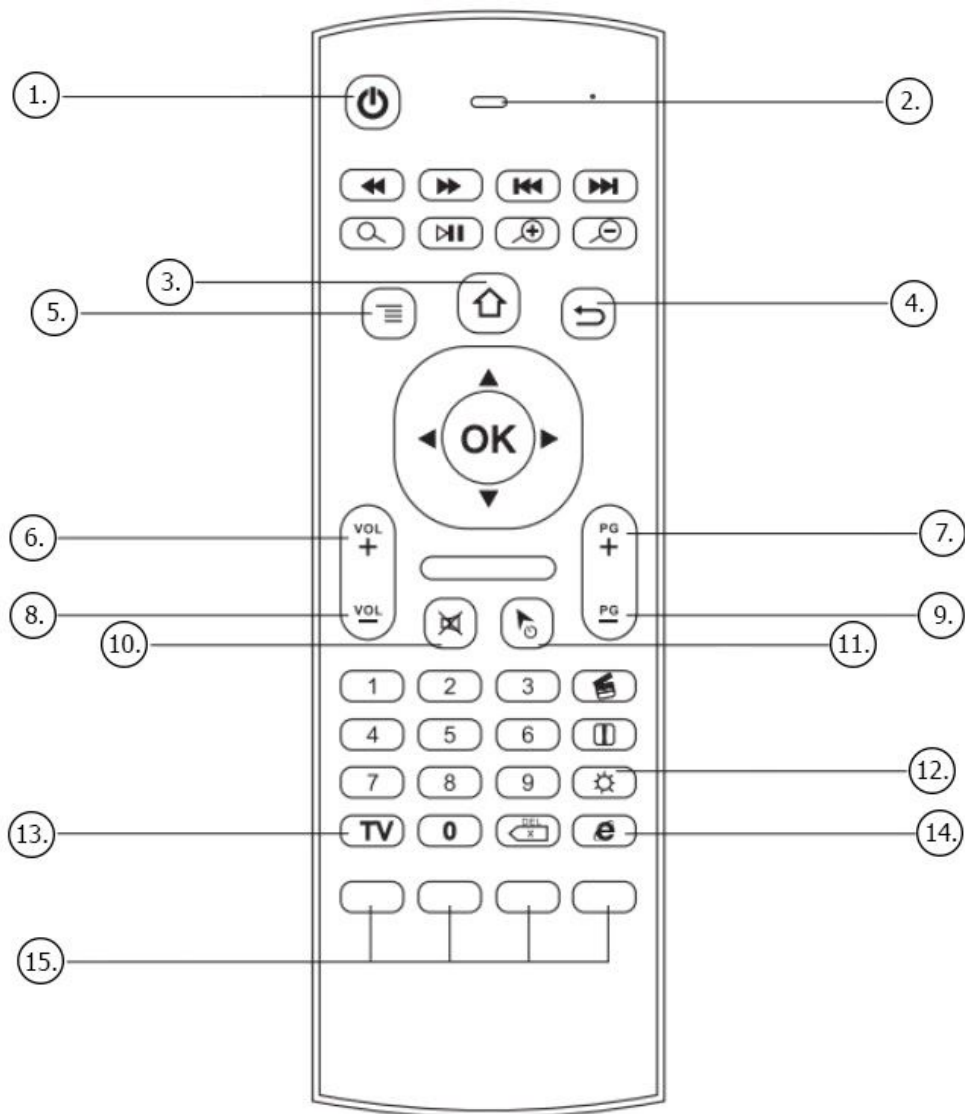


# User manual for Multifunctional Smart 5-in-1 Wireless Air Mouse with Keyboard





- |                      |                          |
|----------------------|--------------------------|
| 1. Power IR Learning | 9. Page Down             |
| 2. LED Indicator     | 10. Mute                 |
| 3. Home              | 11. Cursor Locking       |
| 4. Return            | 12. Open/Close Backlight |
| 5. Menu              | 13. IR Learning Set Key  |
| 6. Volume Up         | 14. Internet             |
| 7. Page Up           | 15. IR Learning Keys     |
| 8. Volume Down       |                          |

**Specifications:**

- Connection: WiFi 2.4GHz
- Transmission range: up to 10m
- Sensors: 3-gyro, 3-G
- Total keys: 81
- Battery: 2x AAA (NOT included)
- Supported OS: Windows, Android, Linux, Mac OS
- Dimensions: 16,7cm x 5,5cm x 1,7cm

## How to use

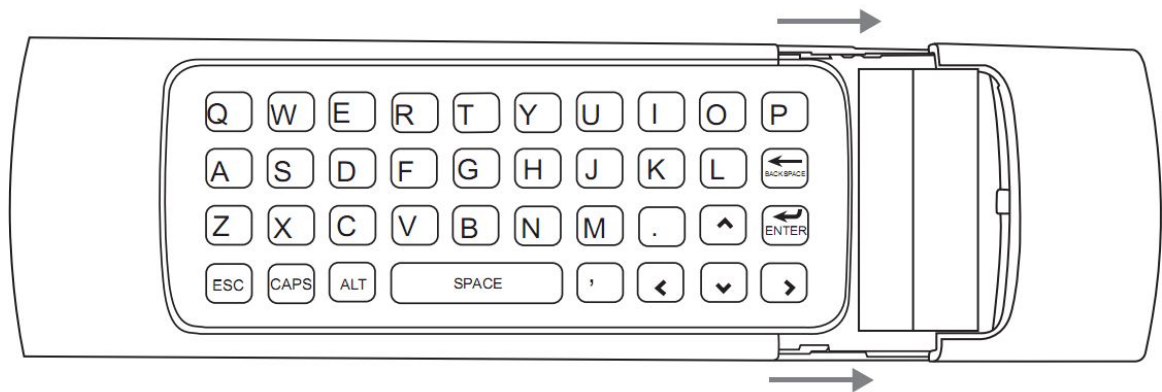
Insert the enclosed dongle into your device's USB port; pairing will be completed once you can see and move the mouse cursor on the screen. If the pairing was unsuccessful, press the OK and TV button at the same time. Your device should now be connected.

## IR learning

There are five buttons that could be programmed to your TV remote keys: the top left Power button and the bottom four colored buttons. Please be noted your TV remote has to support the NEC protocol for learning.

Pointing IR emitters of the TV remote and the air mouse to each other. Press and hold the TV key on the remote for 4-5 seconds until the LED slowly flashes. While you see the LED slowly flashing, press the key on your TV remote to learn. While the IR signal is received to the remote, the LED light will turn solid. You will have to choose one of those 5 learning keys. Press the TV button to finish the learning. Start from step 1 to revise or start a new set up.

## Wireless Keyboard



This keyboard has 38 keys as shown above: letters, navigation keys, dot, comma, and function keys:

- **BACKSPACE:** Delete
- **CAPS:** Caps Lock (Switch Caps ON or Off)
- **ENTER:** Confirm the operation
- **SPACE:** Spacebar
- **ALT:** Press Alt to switch to top right corner characters, and press Alt again to switch back.

## FAQs

### 1. How to adjust the sensitivity of the mouse?

Home + Volume Up: move faster

Home + Volume Down: move slower

### 2. The air mouse doesn't work or can not be Recognized.

First, make sure that batteries are inserted properly and that they are good. Then plug the dongle to your device you want to pair with the air mouse, wait for 20 to 60s for the dongle driver to be installed. Press the [OK] and [TV] buttons at the same time.

### 3. Some function keys such as [Return] and [OK] button don't work.

This is a universal controller. It is normal that a few keys might not be applicable to your device because of different codes by different manufacture. If you see the red LED light on when you press a key, it proves that the key is working. You can try the remote on a standard windows PC to test most functions.

### 4. My device always fails to learn from my TV remote.

First, please be noted your TV remote has to support the NEC protocol for IR learning. Please check with your remote control manufacture to confirm this. If NEC protocol is supported, strictly follow the IR Learning instructions session of this manual. Keep in mind that only the power key and the four bottom Learning keys can be programmed.

### 5. My air mouse moves very slow, or the mouse cursor disappears, or it returns wrong typing.

You're suggested to replace the batteries, re-plug the dongle, and then press [OK] and [TV] button at the same time for a new pairing.

### 6. The mouse cursor moves too fast. How to slow it down?

First, try to lower the mouse sensitivity by pressing [Home] and [Volume Down]. If no obvious changes, go to your PC's control panel or your Android box's cursor speed to change the mouse sensitivity.

### 7. How to wake up the air mouse while it goes to auto-sleep?

Press any key to wake up the air mouse.

### 8. How to type Caps or numbers?

Press CAPS to switch Caps on or off. Press ALT to switch between the blue colored characters and the white ones.

### 9. How to restore to manufacture default settings?

Please press [TV]+[Del] buttons together for three seconds to restore to manufacture settings.

### 10. The backlight won't show up. How to activate the backlight?

Press the Backlight button to turn the backlight on. Press it again to turn the backlight off.