

User Manual for BowAI OB8s Smart Robot Vacuum Cleaner



Specifications

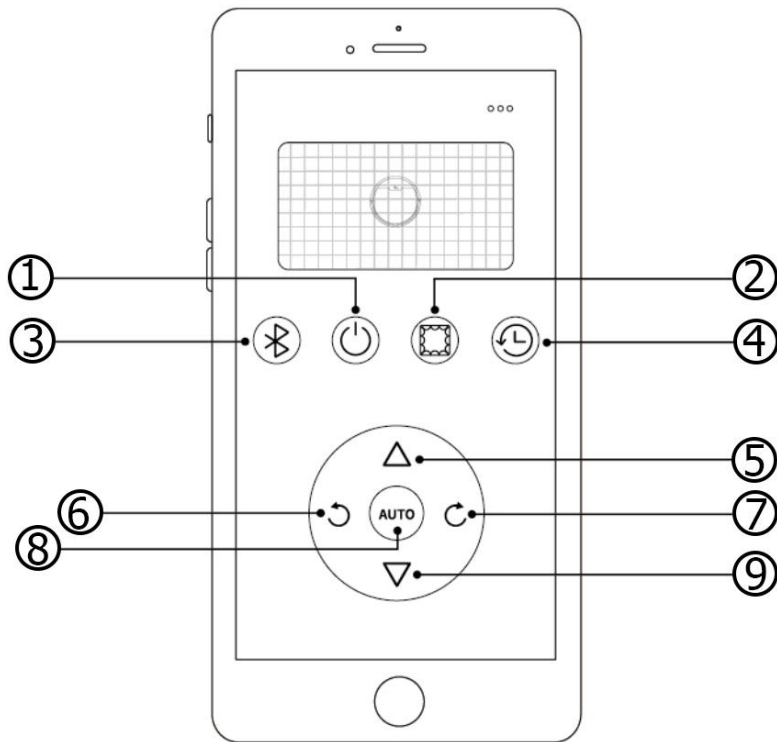
- Power: 6W
- Working voltage: 3.7V
- Cleaning area: 150 meters squared
- Suction power: 1600Pa
- Battery capacity: 1500mAh
- Dust box capacity: about 400ml
- Working time: about 100 minutes
- Charging time: about 150 minutes
- Dimensions: 26,5cm x 6cm x 26,5cm
- Weight: 0,565kg

SDJ App download and connection

Search the SDJ app on the Play Store for Android or App Store for iOS devices, or scan the QR code below and download and install the app.



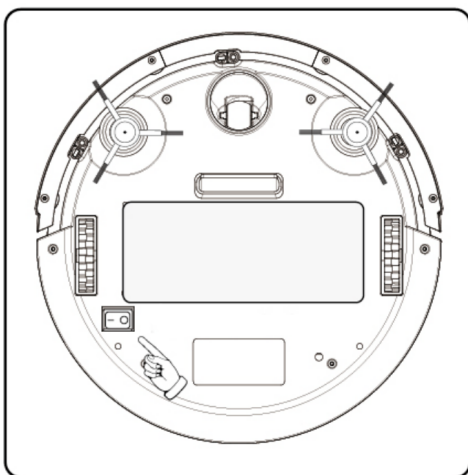
Make sure that the vacuum cleaner's battery is charged and turn it on. Turn on the Bluetooth on your smartphone, open the app, and scan for the available devices. Click on the SDJ001 to enter, tap the Bluetooth icon, and select your vacuum cleaner to pair.



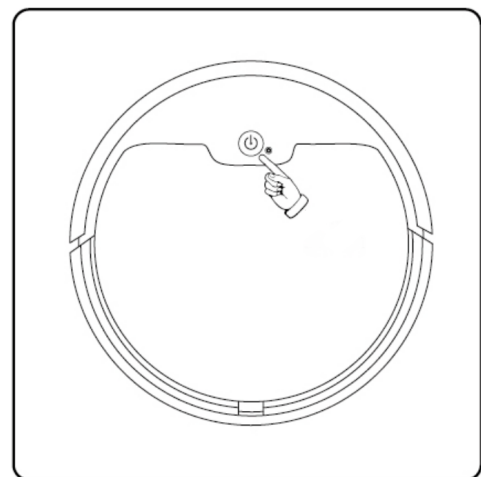
- 1. Power button
- 2. Mandatory edge cleaning button
- 3. Bluetooth button
- 4. Schedule button
- 5. Forward button

- 6. Left/Counterclockwise button
- 7. Right/Clockwise button
- 8. Automatic cleaning button
- 9. Back button

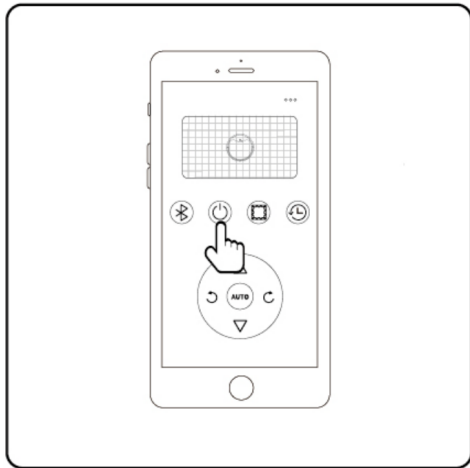
Operation procedure



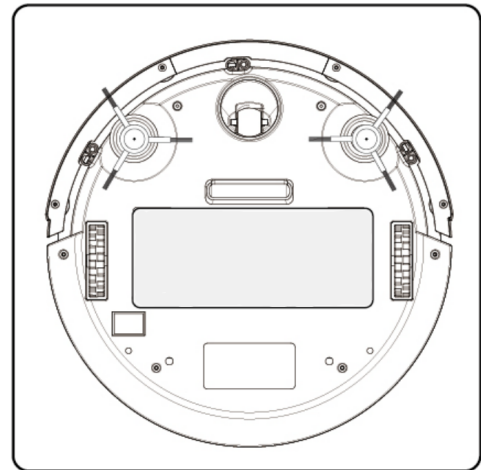
Press the master switch to turn it on.



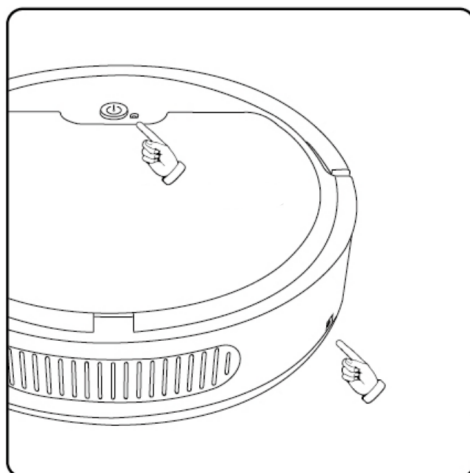
Boot mode 1: Press the Power switch



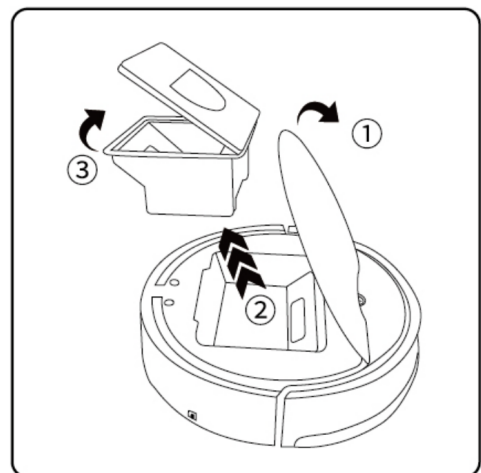
Boot mode 2: Press the power switch in the app.



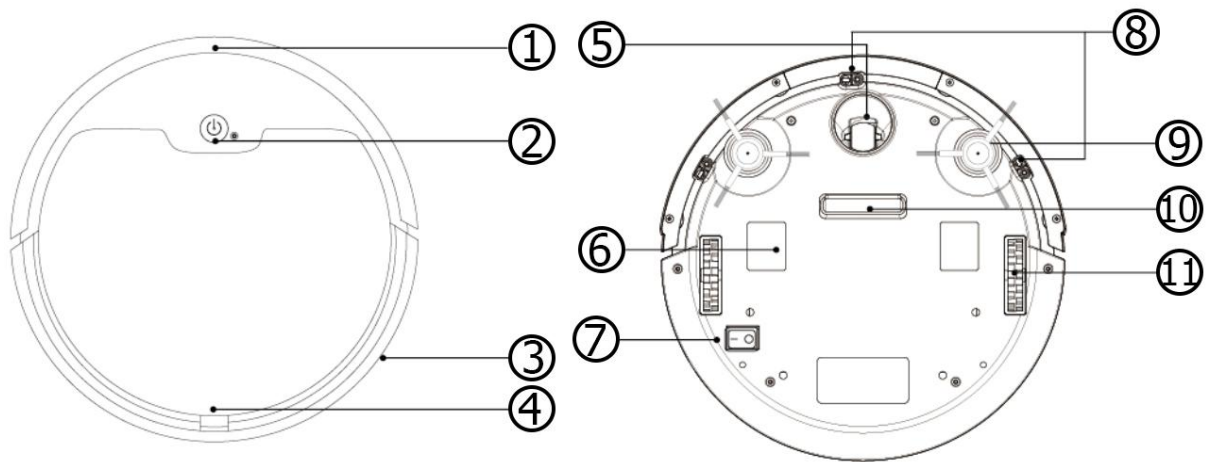
Mop Function: Put the mopping cloth on the bottom of the vacuum cleaner



When the indicator light is blue and flashes, the vacuum cleaner will start working. When the indicator is red when the product is charging.



1. Open the magnetic cover
2. Take out the dust box
3. Open the dust box and empty the garbage and put the box back for the next use.



- 1. Front-impact bar
- 2. Switch
- 3. Charging interface
- 4. Magnetic cover
- 5. Omni-directional wheel
- 6. Dust cloth attachment

- 7. Master switch
- 8. Anti-drop sensor
- 9. Side brush
- 10. Suction inlet
- 11. Main wheel