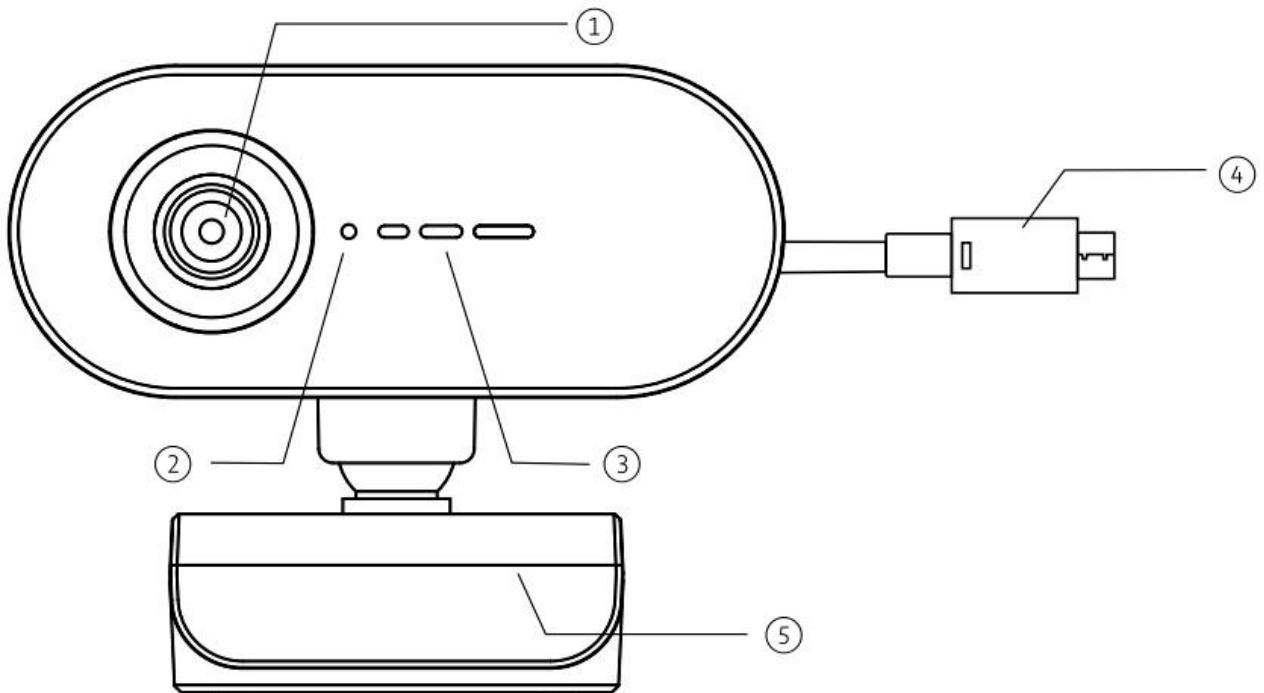


# User Manual for 720p HD Rotating Webcam with Autofocus



## Specifications

- Resolution: 1280 x 720
- Video format: AVI
- Photo format: BMP, JPG
- Focus range: autofocus
- Voltage range: 4.5V-5.5V
- Operating current: up to 200mA
- Interface: USB 2.0
- Output format: M-JPEG
- Field of view: 60 degrees
- Sensor: GC1064
- Main control chip: GPCV1235F
- USB cable length: 160cm
- Dimensions: 78 x 50 x 57mm



1. HD camera
2. Signal lamp
3. MAC hole
4. USB 2.0 plug
5. Trestle

## **Installation steps**

The installation of this webcam is pretty simple and has three easy steps:

1. First of all, you have to open the multi-functional base and point the camera to the front of the monitor.
2. Press down on the multi-functional base, fasten it at the front, and keep the back close to the back of the display.
3. Plug the USB cable into your computer and that's it. You can start chatting with friends, have a meeting, or start a live broadcast video conference.