

User Manual for 70mai A800S 4K Dashcam & Rear Car Camera Set



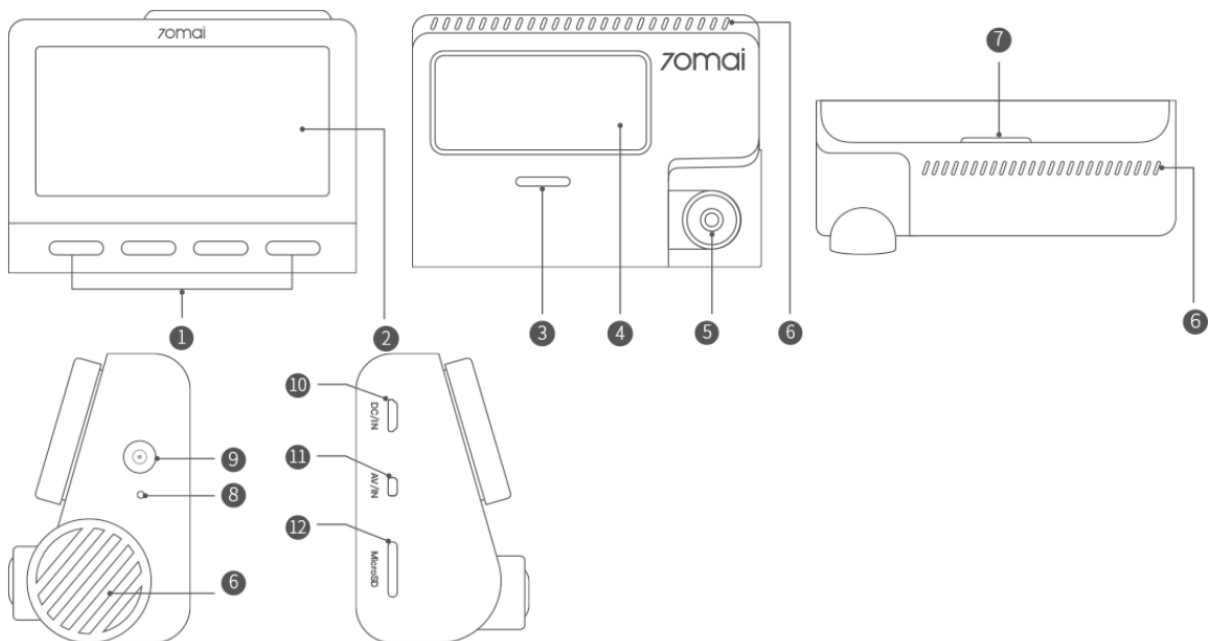
70mai A800S dashcam specifications

- Video resolution: 4K 3840x2160
- Field of view: 140 degrees
- Aperture: f1.8
- Display size: 3"
- Battery capacity: 500mAh
- Supported storage: MicroSD (NOT included)

70mai RC06 rear camera specifications

- Video resolution: FullHD 1920x1080
- Field of view: 130 degrees
- Aperture: f2.0

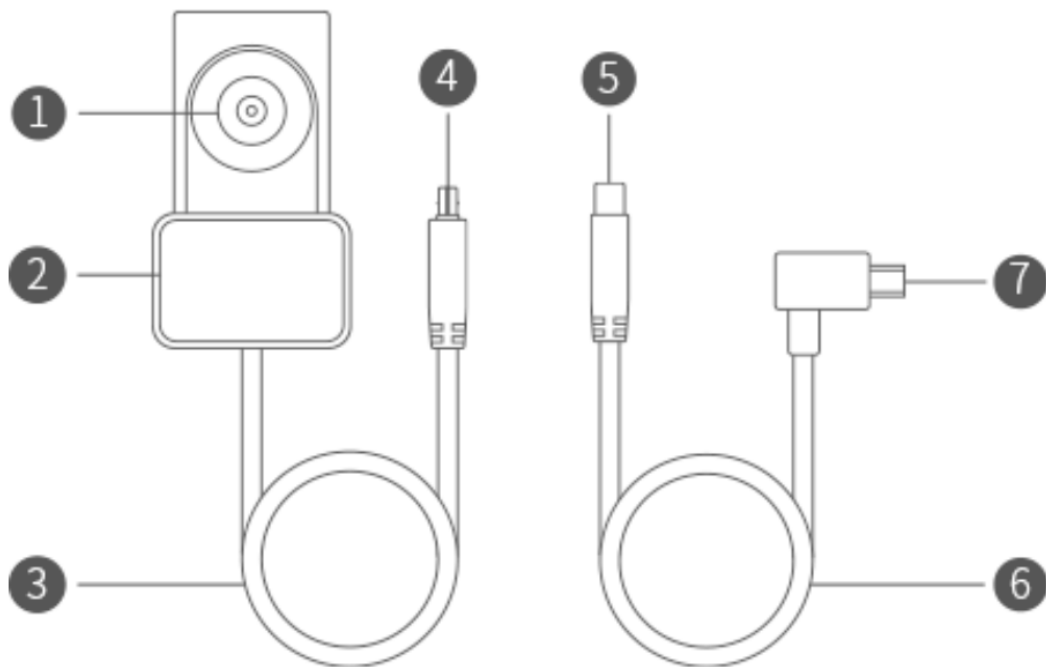
Dashcam overview



1. Functions button
2. Display
3. Speaker
4. Mounting area
5. Camera
6. Ventilation holes

7. Indicator
8. Microphone
9. Power button
10. Power port
11. Rear camera port
12. Memory card slot

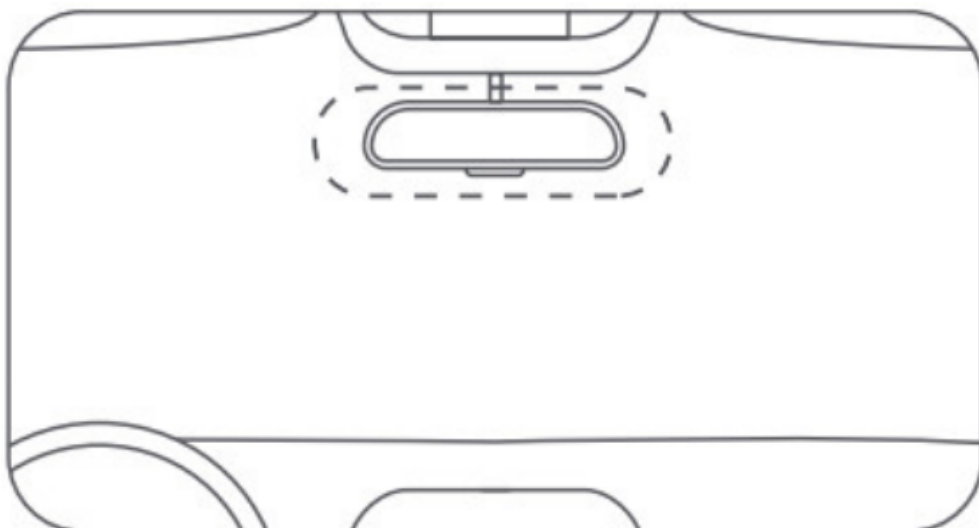
Rear camera overview



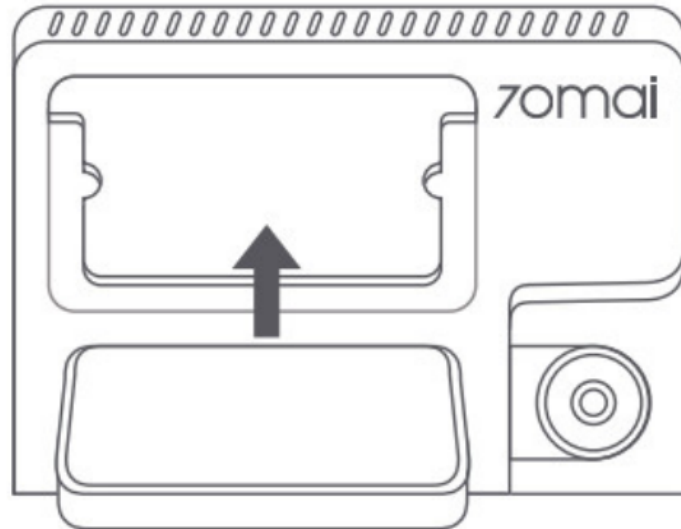
1. Rear camera
2. Mount area
3. Rear camera lead wire
4. Plug port A
5. Plug port B
6. Rear signal wire
7. MiniUSB power port

Installation of the dashcam

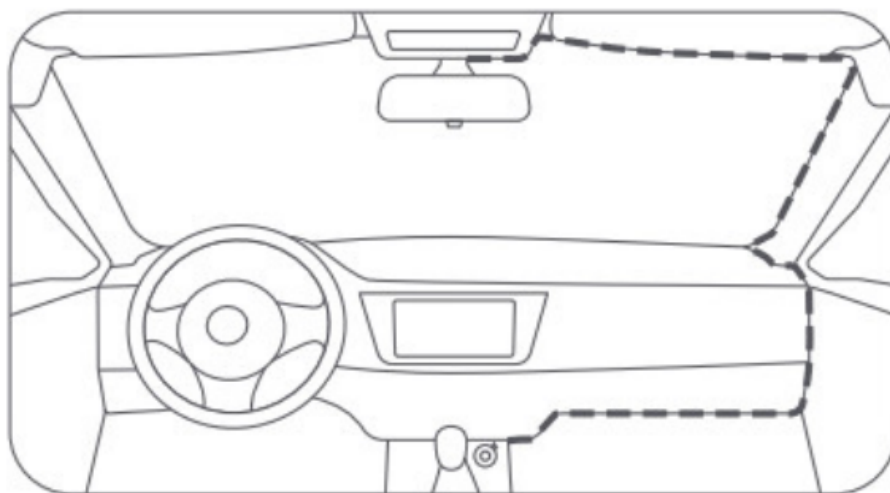
Clean your windshield and put the electrostatic sticker on the recommended area as shown in the figure below. Avoid the edge of the windshield and select a flat and smooth area for the installation. Make sure you remove air bubbles between the sticker and the glass.



Insert the memory card into the card slot with its contacts facing up until you hear a click. Attach the mount into the slot and slide up, as shown in the figure below. You will hear a snap when it is in place. Make sure the mount is securely installed on the dashcam.



To mount the dashcam, peel off the protective film from the adhesive sticker on the base of the mount, and put the dashcam onto the electrostatic sticker in the dotted area. As shown in the figure below, run the power cord along the top of the windshield, down the A-pillar, and around the glove compartment, so that the power connector is near the cigarette lighter. Connect the power cord to the car charger, then plug the charger into the cigarette lighter socket.



Turn on the dashcam and adjust the camera angle to ensure that the camera is facing the front of the vehicle. To turn on the camera, press the Power button. To turn it off, press and hold the Power button for 3 seconds, and to force shut it down, press and hold the Power button for 15 seconds.

The rear camera functions

The camera is used as an accessory for 70mai in-car products and needs to be used with the main device. After the camera is installed and connected with the main device correctly, when rear camera recording is enabled, the camera can record and store the image from the rear of the vehicle.

This camera is powered by the main device. When the main device starts operation, the camera will be turned on automatically. When the main device is turned off or sleeps, the camera will also be turned off automatically. The main device powers the camera only when it receives power from an external power source. The main device cannot power the camera if it is not powered by an external power source.


The image acquired by the camera is stored in the microSD card of the main device automatically. As the storage limit is reached, the earliest front-recorded and rear-recorded images will be overwritten by the latest images.


70mai app


Scan the QR code below or search for the 70mai app on Google Play Store for Android or App Store for iOS.



To add the dashcam on the 70mai app, open the app and tap Add Device. Find 70mai Dash Cam A800S Series in the device list, and tap it to enter the connection process. Turn on the Dash Cam's Wi-Fi hotspot and then complete the connection following the prompts on the app screen.

To preview what the dash cam is recording, tap the full-screen icon  in the lower right corner for a full-screen display. The dash cam cannot be operated when it is connected to a mobile phone.

To take a photo, tap the camera button  and the dashcam will snap as feedback. The photo will be stored in the app album and the microSD card at the same time.

Tap the album icon  to enter the album and view the videos and photos stored in the MicroSD card. You can view or download videos to your mobile phone's local album.

Tap the 3 dots icon on the upper right corner to enter the setting page and you can set various functions of the dashcam.

To update the firmware on the 70mai app, do the following:

1. Open the 70mai app and tap My devices. In the device list, find 70mai Dash Cam A800S Series.
2. If there is an available update of the firmware, a small red dot will be displayed on the right side of the device name. Tap the name to enter the detailed device page and tap Firmware Update and then Download New Firmware Version.
3. After the download is completed, return to the homepage and reconnect the Dashcam. After entering the preview screen, there will be a prompt "Available update package detected. Push it to the Dash Cam?" Tap Push and then connect the dash cam Wi-Fi to complete.
4. After the dashcam receives the update package, complete the update in the dashcam screen.
5. After the update is completed, you can delete the local firmware package by tapping the trash can icon in the upper right corner of the firmware update page.