

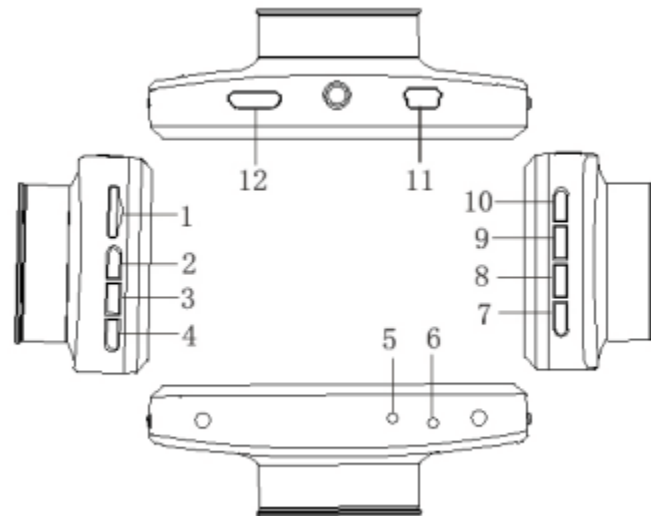
Dual-Lens 1080p Car Camera with G-Sensor YC-868 - Front / Interior



Specifications:

- Resolution: 1080P
- Screen Size: 3.0 Inches
- Lens Angle: 170°
- TF Card: 8G~32GB (Max)
- Battery Capacity: 150mAh
- Voltage: DC 5V
- Current: 1.5A
- Frequency: 50HZ / 60HZ
- Working Temperature: 0°C-60°C
- Lens Collocation: Interior Lens/Rear View Lens
- Functions: Loop Recording, Parking Monitoring, Motion Detection, Gravity Sensing

Product overview:



1. TF memory slot
2. Up button
 - During video playback click on it for digital narrow regulation/go up through menu options
3. Menu button
 - Short press it to open the function set menu
4. Down button
 - During video playback click on it for digital zoom regulation/go down through menu options
5. Microphone
6. Reset
 - Select to reset

7. Power button

- Press and hold to turn the device on/off. Short press to turn on/off the night vision LED lights

8. Hold button

- During the recording process, press the button to save the video. Please note that once saved, the video cannot be deleted

9. Mode button

- Short press it to switch between mode (camera / camera / playback)

10. Ok button

- Video/photo confirmation button, short press to take video/photo

11. USB port

12. Bracket mounting port