

FPV Drone with 720p High-Definition Camera TXD-8S



Specification:

- Operation mode: remote control/APP control via phone
- Frequency: 2.4GHz
- Gyroscope: 6-Axis

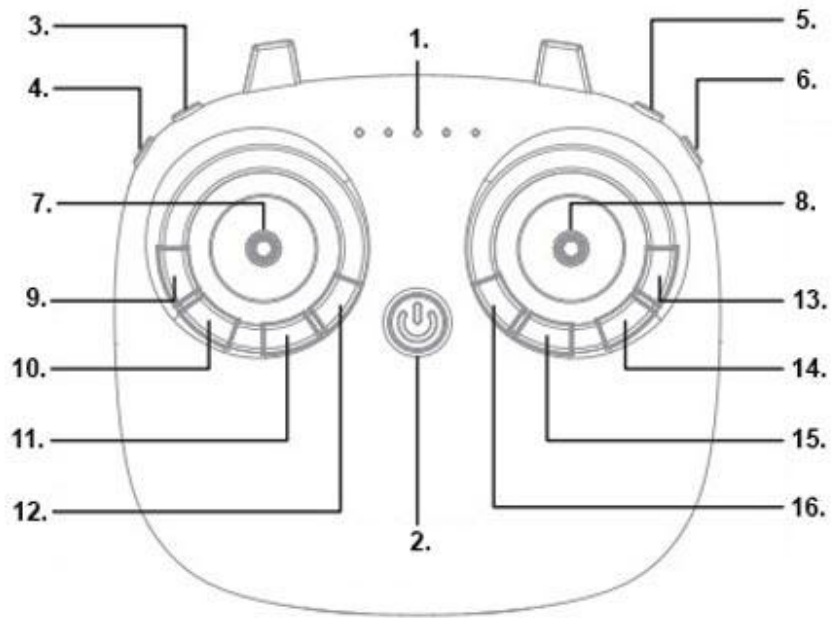
- Battery capacity: 2000mAh
- Flight time: about 15-18 min
- Charging time: up to 80-100 min
- Charging interface: USB
- 3 speeds: slow, medium, fast
- Maximum speed: up to 10km/h
- Maximum ascent speed: 3km/h
- Video resolution: 480p, 1080p
- Remote control distance: up to 100m
- Remote control battery: 4 x AA batteries (not included)

Pairing drone and remote:

1. Place the drone on a flat surface
2. Turn it on, and the remote will beep twice and indicators on the drone and remote will flash
3. Push the left rod completely forward and the remote will beep and indicators on the drone and remote will flash
4. Pull down the left rod completely and the remote will beep and indicators on the drone and remote will turn on

Remote control commands:

1. Power indicators
2. Power switch
3. Headless mode
4. Speed control
5. A key return
6. Rollover key
7. Left control stick (up/down/left/right)
8. Right control stick (forward/backward/left/right side flying)
9. Photo button
10. Video button
11. Emergency stop
12. One key take off/landing
13. Fine-tuning right side flying
14. Fine-tuning left side flying
15. Backward fine-tuning
16. Forward fine-tuning



Charging:

Open the battery holder and disconnect the power plug. Plug it into the included USB charging head and connect it to the power source. When the LED is off, the charging process is ended. Please plug connectors correctly, such as shown in the picture below.

