

User Manual for Selfie Stick with Gimbal Stabilizer and Tripod Stand L08

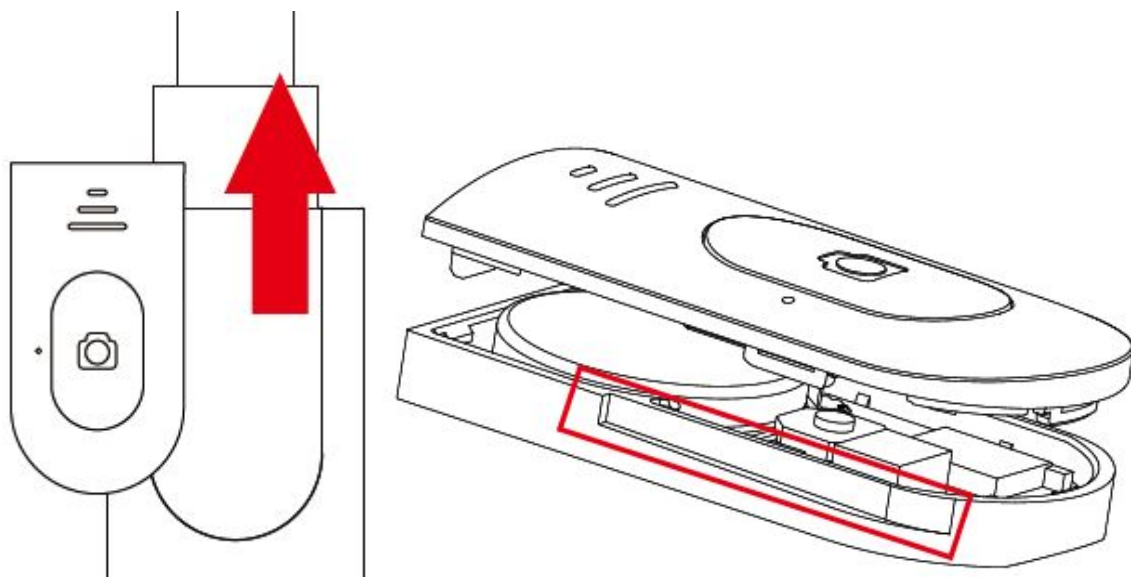


Specifications

- Material: Aluminium alloy
- Weight: 200g
- Rechargeable battery (CR1632)
- Voltage: 5V
- Length: 19cm folded, 86cm extended
- Holder dimensions: 76mm - 85mm

Inserting (replacing) the battery in the remote control

Pull out the lever and the slide up to remove the remote from the selfie stick. Once removed, the remote control cover can be opened from the grooves on both sides.



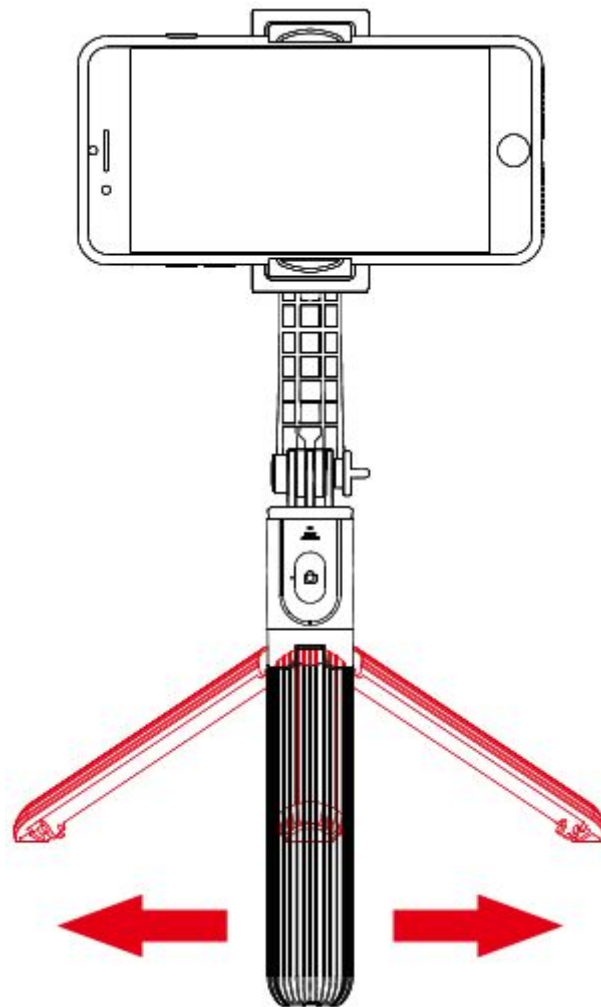
How to use

Long press the button for 2 seconds to turn on the gadget. When it's on, the LED indicator will flash and the selfie stick will enter the pairing mode. Search for the "Gimbal Selfie" on your phone's Bluetooth settings and pair. Once paired the LED indicator will turn off. Click the remote button once to take a picture and the LED will flash once.

If there is no pairing device for 180s, the selfie stick will shut down automatically. Also, when paired and there's no action for 600s, the selfie stick will shut down automatically.

To turn off the selfie stick manually, press and hold the button for 3 seconds. The LED indicator will flash 3 times and the selfie stick will turn off.

To open a selfie stick and transform it into a tripod, simply open the handle outwards and that's it.



Using the gimbal feature

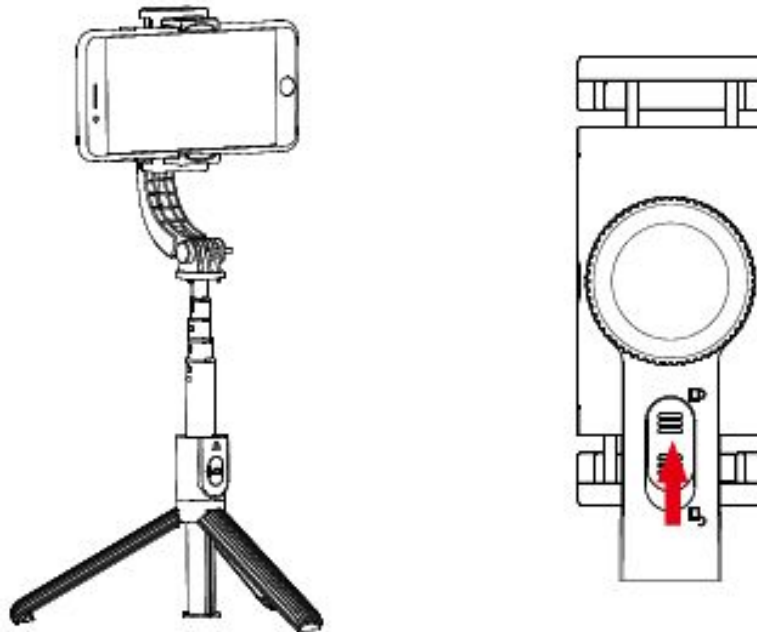
After putting the phone into the holder, press and hold the Pan-tilt button for 5 seconds to start up the gimbal function. To turn off the gimbal function, press and hold the button for 3 seconds.

After starting up, the green light will flash until the gimbal balances itself and enters the stable model. If you shake the handle or move it left and right, the phone will always maintain in the same direction and angle.

You can switch the gimbal between horizontal and vertical mode by pressing the power button on the bracket. You can also manually set the angle by turning it for more than 45 degrees and after 2 seconds the pan head automatically rotates to 90 degrees.

Using the selfie stick mode

When the pan-tilt is turned off, swipe the unlock key to turn the selfie stick into a tripod.



When the battery of the pan-tilt is low, the red light will flash to remind you to recharge it. You can do it by using your microUSB cable and charging the selfie stick. Once the charging process starts, the red light will stay on until the selfie stick is fully charged.

