

RC Drone med GPS og 4K/HD Dobbelt Kamera F11

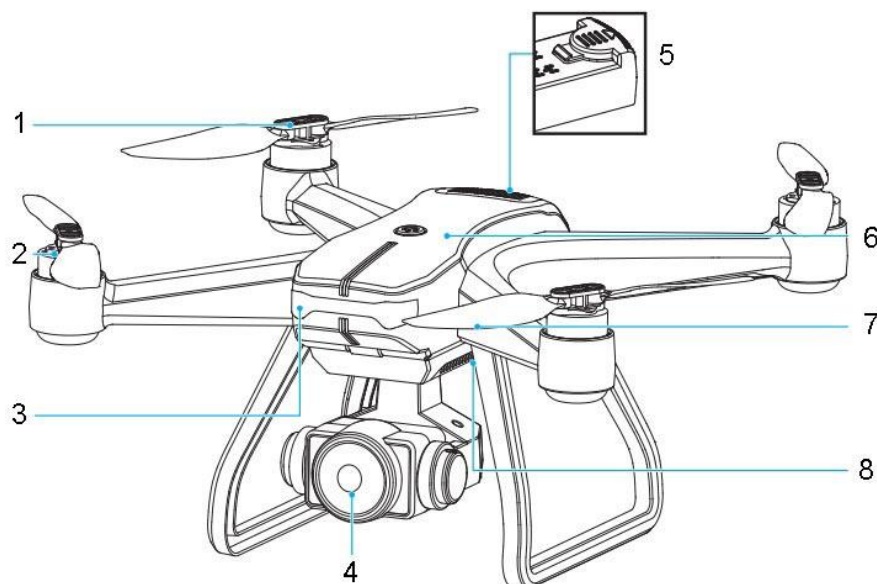


Specifications

- Motor: 4x brushless 1503
- Cameras: HD bottom, 4K front
- Field of view: 120 degrees (wide-angle)
- Lens angle: 90 degrees adjustable
- Control distance: up to 3km (using RC)
- Image transmission distance: up to 2km
- Drone battery: 3000mAh
- Flight time: up to 25min
- Charging time: about 4h
- RC battery: 4x AAA (NOT included)
- RC holder supported phones: 5cm-9cm in width
- Dimensions: 29cm x 29cm x 11cm
- Weight: 850g
- Supported app: 4DRC PRO

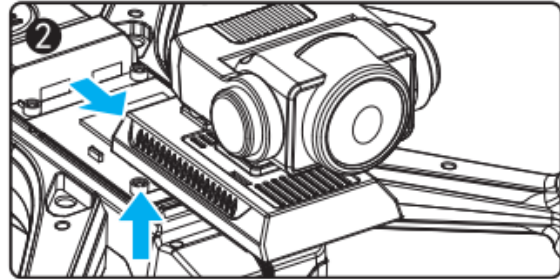
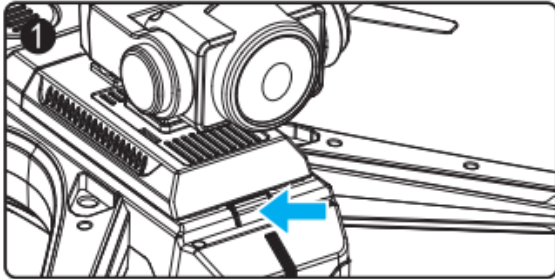
Product information

1. Fan blade clip
2. Motor
3. LED lights
4. Camera
5. Battery
6. Shell
7. Fan blade
8. Bottom camera



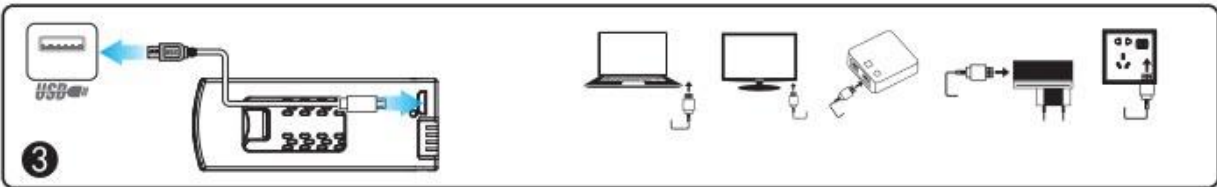
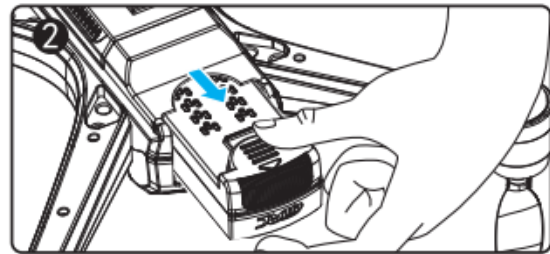
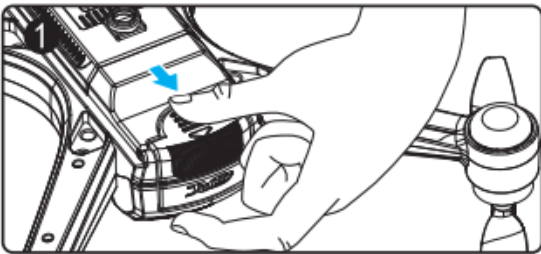
Camera installation

- Press the lock as shown in the picture to push the camera out of the slot and take out the camera upwards at the same time.



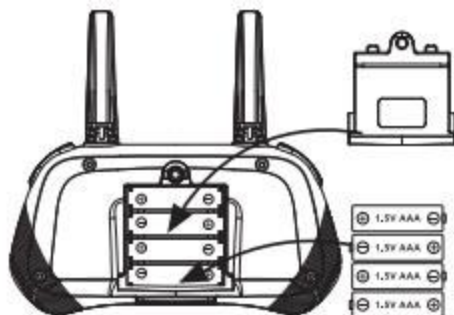
Drone battery charging

- Press the lock and remove the battery. Insert the included USB cable into the USB port of the computer, power adapter, or power bank and connect it to the USB port of the battery. The indicator on the battery will light up red, and it will turn off when the battery is charged.



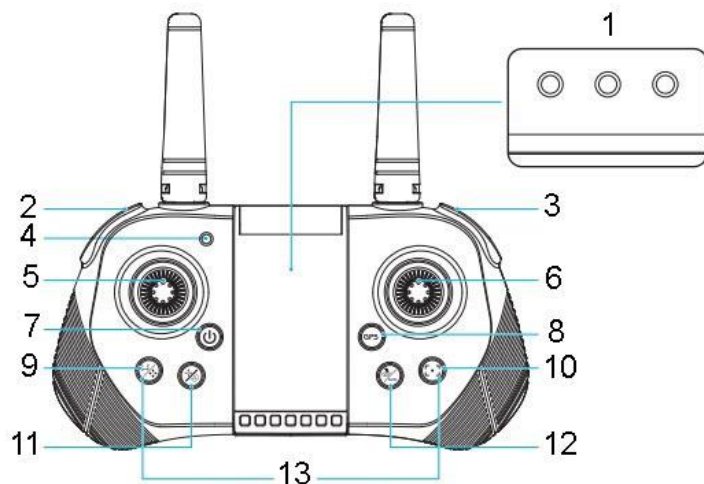
Remote control batteries installation

- To install the batteries to the remote controller, open the battery cover on the back of the remote. Insert four 1.5V AAA batteries in accordance with the instructions on the battery box.



Remote control instruction

1. LED indicators (GPS, one-key return, headless mode)
2. Fine-tune the camera upward
3. Fine-tune the camera downward
4. Power indicator
5. Left stick
6. Right stick
7. Power switch (long press)
8. GPS switch (long press)
9. Speed gear (short press) / fine adjustment (press and hold)
10. Take photo (short press) / record video (long press)
11. Horizontal calibration (short press) / Geomagnetic compass calibration (press and hold for 3 sec)
12. One-key return (short press) / headless mode (long press)
13. Emergency pause (press 9 and 10 buttons at the same time)



Preparation instructions before the flight

1. Drone frequency matching

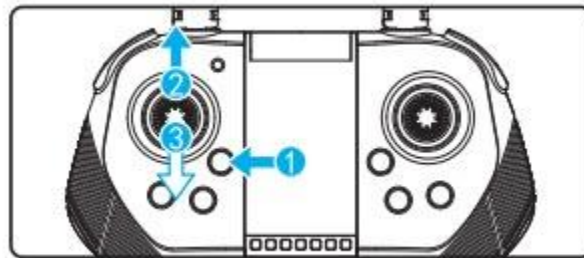
- Turn it on and place it on a horizontal surface, it automatically enters into the frequency matching state. The front blue light and the rear red light will flash.

2. WiFi connection

- Turn on the WiFi on the phone, select the "4DRC*****", and open the App after connecting successfully.

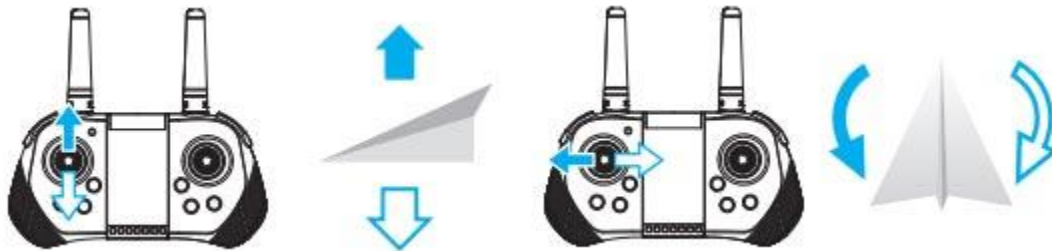
3. Remote control frequency

- Turn on the remote control (default mode) by long-pressing the power switch, turn on the power indicator to flash, push the left stick upward to the top, and then push it down. The frequency is successfully matched, and the light will not flash and turn on normally.



Control of the drone

- The left analog controls the rising and falling of the drone and also turning the drone left and right.



- The right analog controls moving the drone forward and backward and also flying to the right and left.

